

### Case Study 1: Dai Nippon Printing Co., Ltd.

- Solution:** Microsoft Dynamics AX on Enterprise Cloud
- Implementation Method:** Japan HQ initiative for multi region deployment
- Implemented Bases:** Vietnam, Malaysia (\*development into multiple countries planned for the near future)

<http://www.dnp.co.jp/eng/>

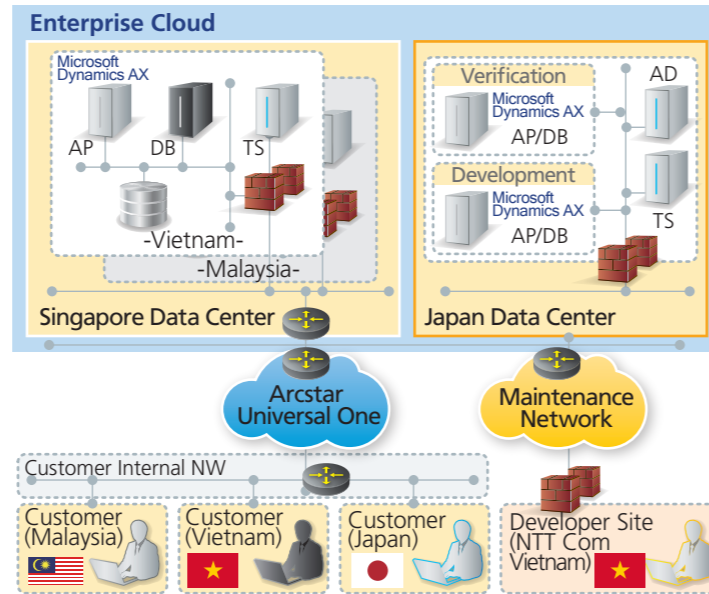


#### Solution Summary

- Implemented the Microsoft Dynamics AX2012 business backbone system on Enterprise Cloud. Expanded into the factories in Vietnam.
- Built procedure for quick launch of oversea business by global-ready ERP and global seamless cloud platform.

#### Implementation Effects

- Standardization of the business process in each country using a global standard template
  - IT governance
  - Agile roll-out in each base
- Integration of IT infrastructure by cloud platform
  - Easy system operation and management in each base



#### Reasons for choosing NTT Communications

- Unparalleled experience of Microsoft Dynamics AX implementation
- Integrated cloud platform and global network
- Granular support by NTT Com local subsidiaries

### Case Study 2: Automotive Parts Manufacturer

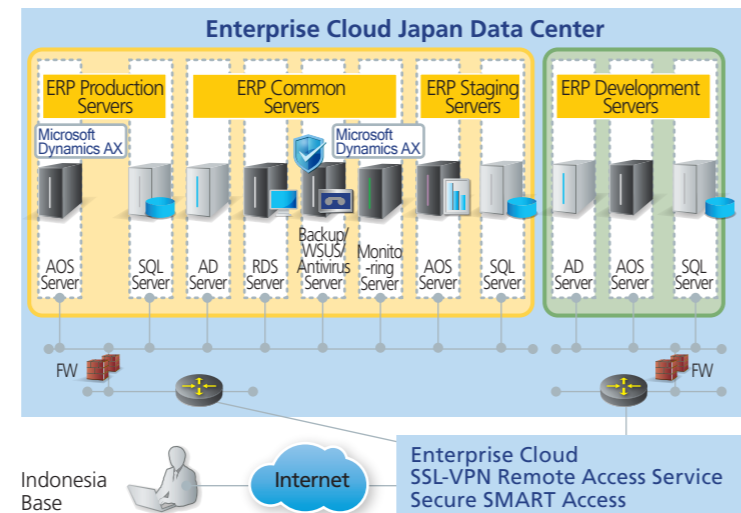
- Solution:** Microsoft Dynamics AX on Enterprise Cloud
- Implementation Method:** Japan HQ initiative for multi region deployment
- Implemented Bases:** Indonesia, India

#### Solution Summary

- Prepared a global standard business process
  - Define global business specs based on the AX standards function
- Devs, PoC and a production environment on a cloud platform in Japan
  - Established a secure environment with diverse security services

#### Implementation Effects

- Global standardization of the business process
- Homogenization of business quality on a global scale
- Visualization of consolidated business management



#### Reasons for choosing NTT Communications

- Experienced engineers of Microsoft Dynamics AX
- Global ERP development model created under Japan HQ leadership
- System operation and maintenance performed in Japan, IT costs optimized, and IT governance strengthened

Global ERP solution

# Microsoft Dynamics AX on Enterprise Cloud / Microsoft Azure Solution

Leveraging NTT Communications' global footprint and cloud-based ERP solution in a one stop basis from application to network, manufacturers expanding into Asia can enjoy agile and efficient implementation and operation of ERP.

## To visualize global business management

To evaluate quickly prior to roll-out if AX matches APAC business management



To speed up AX roll-out leveraging business process templates based on MFG industry best practices

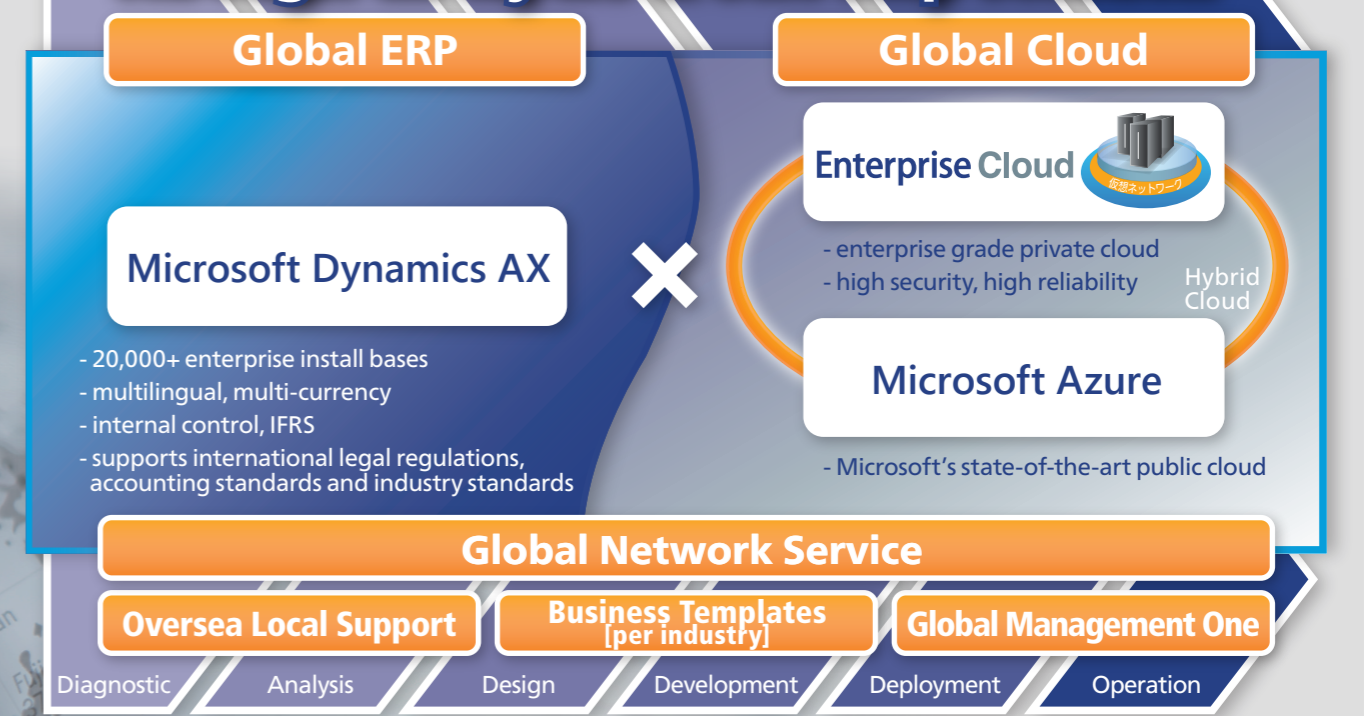


To fully outsource system management and operation across the globe



One stop solution for customers' global ICT strategy

## Through-all-layers & One stop solution



Inquiries regarding Microsoft Dynamics AX on Enterprise Cloud/ Microsoft Azure Solution

**NTT Communications Corporation**

Website [http://www.ntt.com/d-ax\\_e/](http://www.ntt.com/d-ax_e/)

Content is as of September 2015. Displayed service content may be changed without notice. Please check when applying. All displayed prices include tax. Microsoft Dynamics AX, Azure are products of Microsoft Corporation. Company names and product names are the trademarks or registered trademarks of the companies concerned.

# Dynamics AX on Enterprise Cloud / Azure, a global ERP solution for your business management

## 1, 2, 3 to visualize global business management



### 1. Quick evaluation before roll-out if Dynamics AX matches to your oversea business

- Local support service for your planning phase
- Seasoned professionals and partners deployed in APAC



### 2. Efficient and optimal roll-out of Dynamics AX

- Business process templates per industry
- Granular support for industry specific requirements



### 3. Globally one stop outsourcing of operation and management

- Dynamics AX, hybrid cloud and global network seamlessly
- "Global Management One" for total outsourcing

## One stop: Dynamics AX on Enterprise Cloud / Microsoft Azure will deliver all you want

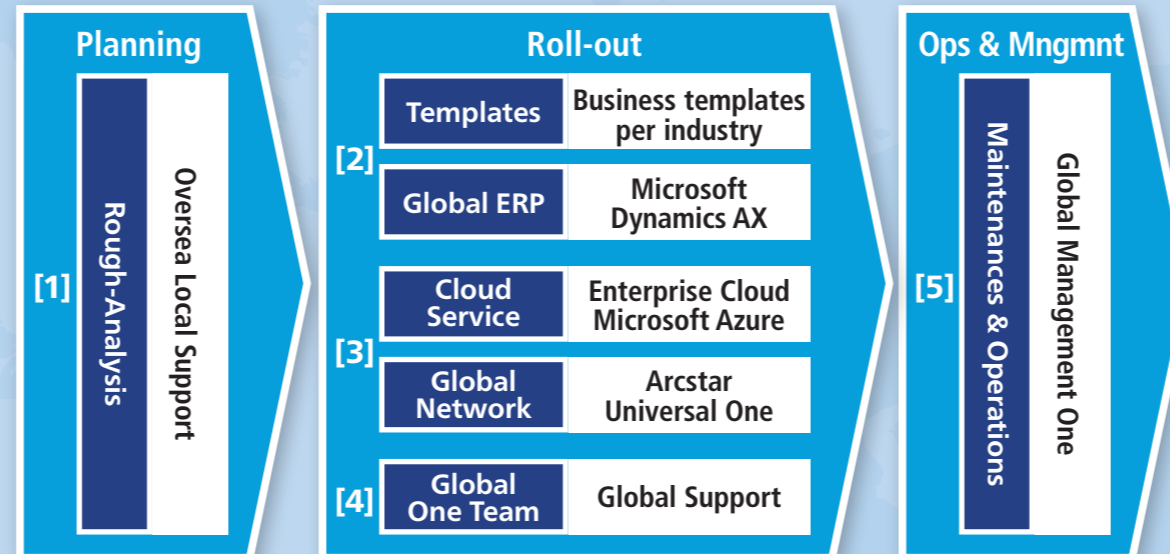


### [1] Oversea Local Support

- Support service and consulting during your planning phase
- Evaluate "as-is" business process implementation, Fit & Gap rough analysis, evaluation of suitability, and final roll-out planning



## 5 grains to solve your issues



### [5] Global Management One

- Maintenance and operations through-all-layers and one stop, including global network
- Operation support of Dynamics AX after roll-out



- **Global Tier 1 support desk**
  - 24/7 Support
  - Multilingual; JA, EN and more (optional)
- **Global maintenance and operation support**
  - ITIL based service desk
  - Automated operation and monitoring platform
  - Dynamics AX
  - Cloud and network

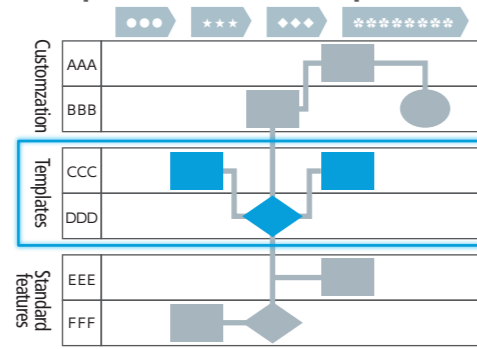


### [2] Business Templates per Industry

- Customizable to meet specific business requirements
- Efficient, speedy and cost effective

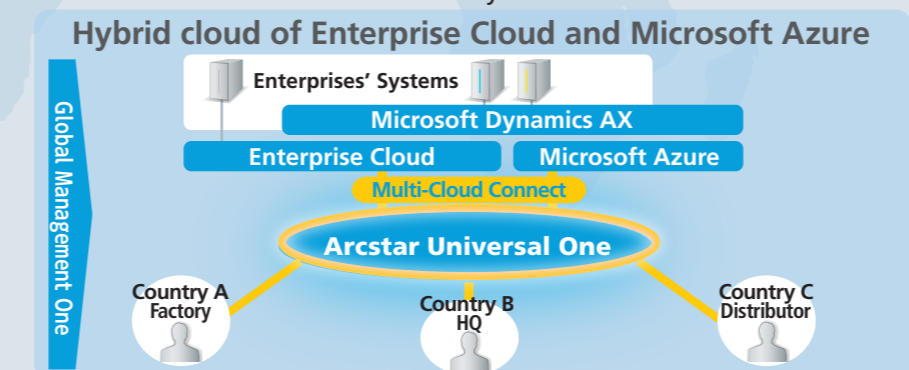
Industries
Automotive Suppliers
High-Tech
Process MFG
Make-to-Order MFG
APAC global accounting

#### Templates in business processes



### [3] Enterprise Cloud / Microsoft Azure

- With Microsoft Azure connected directly from Arcstar Universal One VPN via Multi-Cloud Connect option, agile, flexible and cost-effective implementation of Dynamics AX can be achieved.
- Hybrid cloud architecture combining Enterprise Cloud and Microsoft Azure enables secure and robust Dynamics AX.



### [4] Global One Team

"Global One Team" of NTT Com, its APAC regional offices and partner companies in Japan and oversea, delivers comprehensive support to customers' global business.



Including Local ICT Support + Network + Cloud + Dynamics AX